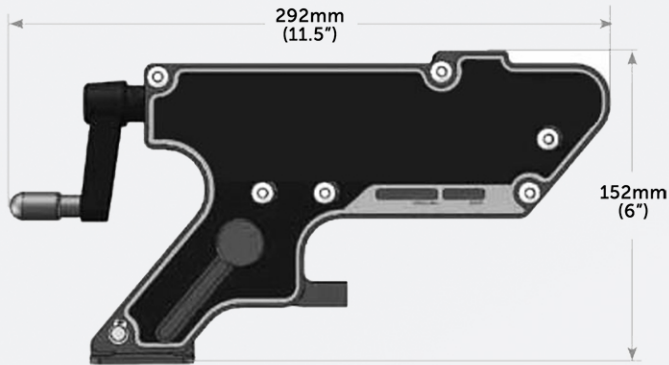


BFA1™

Flange Leveling Tool



Weights & Dimensions

- ✓ Tool weight: 2.1 kg
- ✓ Gross weight: 2.3 kg
- ✓ Box Dimensions:
180 mm x 330 mm x 220 mm
- ✓ Aligning force: 1 Ton

Range of Application

ASME	150#	2" - 8"
	300#	1 ½" - 6"
	400#	2" - 3"
	600#	1 ½" - 3"
	900#	½" - ¾"
	1500#	½" - 1"
	2500#	½" - ¾"

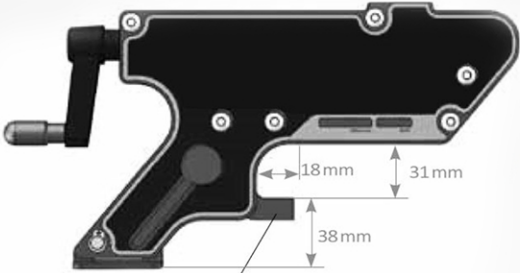
Kit Components

- ✓ 1 x - BFA1™ Tool
- ✓ 1 x Mini Ratchet Strap

Designed for different industries

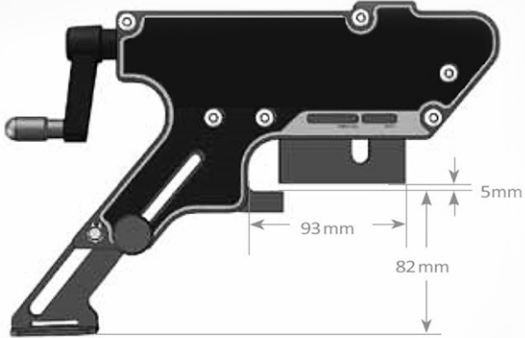


Minimum Extension



Minimum applicable Bolt Hole Diameter 16 mm (.63")

Maximum Extension



SCAN ME

