

# BFA9TM

Hydraulic Fixed Flange & Rotational Leveling Tool

## Weights & Dimensions

- ✓ Tool weight: 14.5 kg
- ✓ Molding Case: 2.5 kg
- ✓ Gross weight: 17.68 kg
- ✓ Molding case dimensions: 600 mm x 360 mm x 140 mm
- ✓ Aligning Force: 9 Ton

## Kit Components

- ✓ 1 x BFA9TM Tool
- ✓ 1 x Ratchet Strap
- ✓ 1 x Molding Case

Designed for different industries



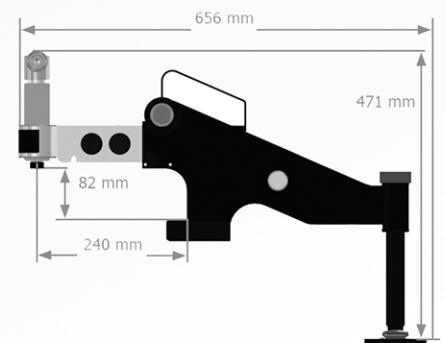
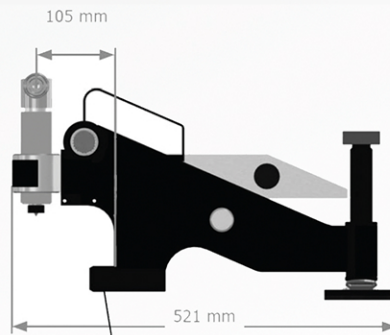
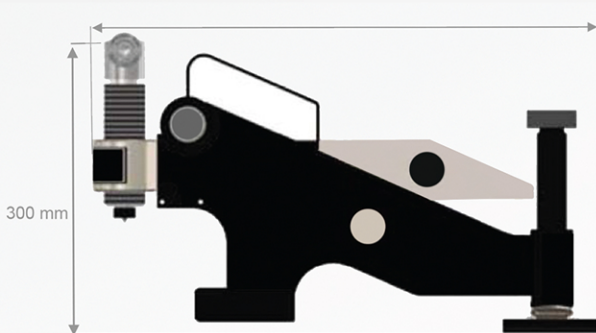
## Range of Application

ASME	150#	36"-48"
	300#	16"-24" & 38"-48"
	400#	12"-24" & 38"-48"
	600#	10"-24" & 38"-48"
	900#	8"-30"
	1500#	5"-20"
	2500#	3" & 4"-12"



Minimum Extension

Maximum Extension



Minimum applicable Bolt Hole Diameter 35.5mm (1.40")

SCAN ME



Tel: +65 6271 0800  
 Fax: +65 6273 3121  
[enquiries@petracarbon.com](mailto:enquiries@petracarbon.com)  
[www.petracarbon.com](http://www.petracarbon.com)

