

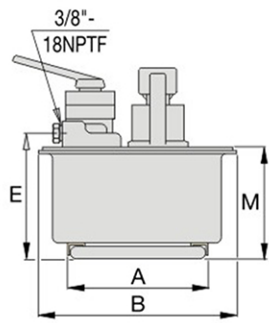
# BP SERIES

Hydraulic Hand Pump

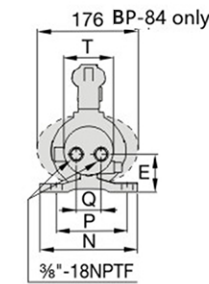


## Features

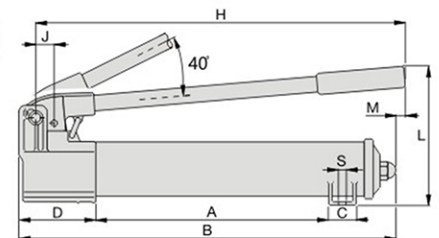
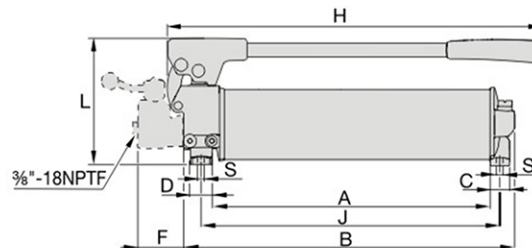
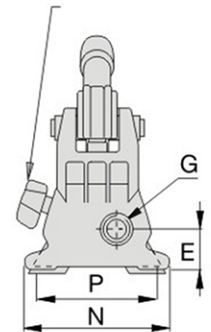
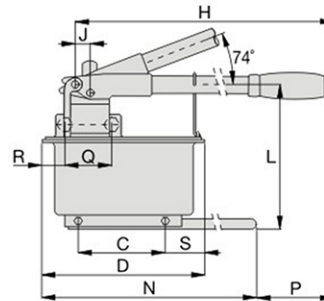
- Reduced handle effort and ergonomic grip for less operator fatigue
- Quick grip handle allows for easy transport
- Hand pump by foot operated is available
- Two-speed operation for fast and easy operation
- 4-way valving on the Bp-84 and BP-464 for operation of double-acting cylinders
- Lightweight and compact design



BP-462, BP-464



BP-80, BP-84



## Specifications

Model	Usable Oil (cm <sup>3</sup> )	Type	Pressure (bar)		Oil Cap (cm <sup>3</sup> )		Dimensions (mm)			Weight (kg)	Oil Port (NPT)
			1st Stage	2nd Stage	1st Stage	2nd Stage	A	D	H		
BP-142	500	Single Acting	10	700	3.5	0.7	340	160	110	2	3/8
BP-392	1000		12	700	11.4	2.3	540	190	120	3.15	3/8
BP-400	3000		15	700	11.4	2.3	660	190	150	7	3/8
BP-462	7423		14	700	126.22	4.75	650	308	280	28	3/8
BP-462XL	10000		14	700	126.22	4.75	650	308	280	35.8	3/8
BP-80	2200		25	700	16.22	2.46	545	170	148	11	3/8
BP-801	4080		25	700	16.22	2.46	659	174	146	15	3/8
BP-84	2200	Double Acting	25	700	16.22	2.46	545	170	148	11.8	3/8
BP-841	4080		25	700	16.22	2.46	675	174	146	14.9	3/8
BP-464	7423		14	700	126.22	4.75	650	308	280	28	3/8
BP-464XL	10000		14	700	126.22	4.65	650	308	280	36.8	3/8

SCAN ME



Tel: +65 6271 0800  
 Fax: +65 6273 3121  
 enquiries@petracarbon.com  
 www.petracarbon.com

