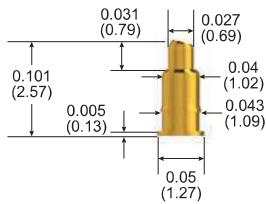


PCB Surface Mount

Dimensions and Specifications

101582 Probe

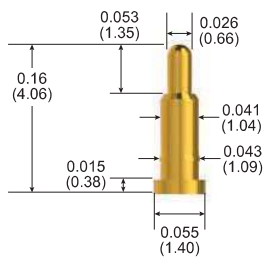


| Probe Specifications | |
|----------------------|--|
| Minimum Centers | 0.07 (1.78) 0.05 (1.27)) staggered rows |
| Current Rating | 9 A continuous (individual probe in free air @ ambient temperature) |
| Spring Force | 48 g @ 0.03 (0.76) travel |
| Typical Resistance | < 10 mΩ |
| Maximum Travel | 0.03 (0.76) |
| Working Travel | 0.03 (0.76) |

| Materials | |
|-----------|-------------------------------|
| Barrel | Brass, gold plated |
| Spring | Stainless steel |
| Plunger | Beryllium copper, gold plated |

| How to Order | |
|--------------|------------|
| Part Number | 101582-000 |

101530 Probe



| Probe Specifications | |
|----------------------|--|
| Minimum Centers | 0.07 (1.78) |
| Current Rating | 1 A continuous (individual probe in free air @ ambient temperature) |
| Spring Force | 71 g @ 0.042 (1.07) travel |
| Typical Resistance | < 50 mΩ |
| Maximum Travel | 0.05 (1.27) |
| Working Travel | 0.042 (1.07) |

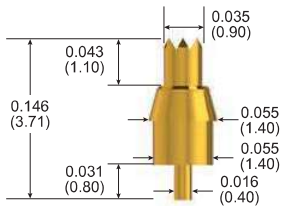
| Materials | |
|-----------|---|
| Barrel | Brass, gold plated |
| Spring | Stainless steel |
| Plunger | Full-hard beryllium copper, gold plated |

| How to Order | |
|--------------|------------|
| Part Number | 101530-000 |

PCB Thru-hole

Dimensions and Specifications

101438 Probe



Also available as Connector Probes

Dimensions are in inches [mm].

Probe Specifications

| | |
|--------------------|--|
| Minimum Centers | 0.08 (2.03) |
| Current Rating | 1 A continuous (individual probe in free air @ ambient temperature) |
| Spring Force | 99 g @ 0.02 (0.51) travel |
| Typical Resistance | < 10 mΩ |
| Maximum Travel | 0.039 (0.99) |
| Working Travel | 0.02 (0.51) |

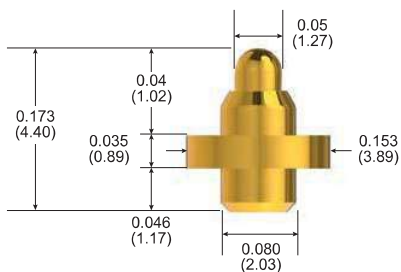
Materials

| | |
|---------|-------------------------------|
| Barrel | Brass, gold plated |
| Spring | Stainless steel, gold plated |
| Plunger | Beryllium copper, gold plated |

How to Order

| | |
|-------------|------------|
| Part Number | 101438-000 |
|-------------|------------|

100671 Probe



Probe Specifications

| | |
|--------------------|--|
| Minimum Centers | 0.175 (4.45) |
| Current Rating | 3 A continuous (individual probe in free air @ ambient temperature) |
| Spring Force | 145 g @ 0.027 (0.69) travel |
| Typical Resistance | < 10 mΩ |
| Maximum Travel | 0.04 (1.02)* |
| Working Travel | 0.027 (0.69) |

Materials

| | |
|---------|-------------------------------|
| Barrel | Nickel/silver, gold plated |
| Spring | Stainless steel, gold plated |
| Plunger | Beryllium copper, gold plated |

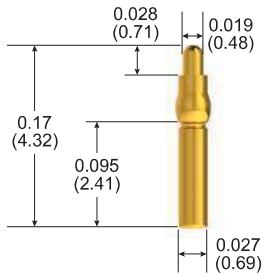
How to Order

| | |
|-------------|------------|
| Part Number | 100671-000 |
|-------------|------------|

*Not recommended for use at maximum travel

Also available as Connector Probes

101506 Probe



Probe Specifications

| | |
|--------------------|--|
| Minimum Centers | 0.05 (1.27) |
| Current Rating | 5 A continuous (individual probe in free air @ ambient temperature) |
| Spring Force | 39 g @ 0.02 (0.51) travel |
| Typical Resistance | < 20 mΩ |
| Maximum Travel | 0.028 (0.71) |
| Working Travel | 0.02 (0.51) |

Materials

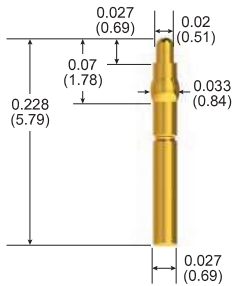
| | |
|---------|-------------------------------|
| Barrel | Nickel/silver, gold plated |
| Spring | Stainless steel, gold plated |
| Plunger | Beryllium copper, gold plated |

How to Order

| | |
|-------------|------------|
| Part Number | 101506-000 |
|-------------|------------|

Also available as Connector Probes

101294 Probe



Probe Specifications

| | |
|--------------------|--|
| Minimum Centers | 0.05 (1.27) |
| Current Rating | 5 A continuous (individual probe in free air @ ambient temperature) |
| Spring Force | 26 g @ 0.02 (0.51) travel |
| Typical Resistance | < 20 mΩ |
| Maximum Travel | 0.027 (0.69) |
| Working Travel | 0.02 (0.51) |

Materials

| | |
|---------|-------------------------------|
| Barrel | Nickel/silver, gold plated |
| Spring | Stainless steel, gold plated |
| Plunger | Beryllium copper, gold plated |

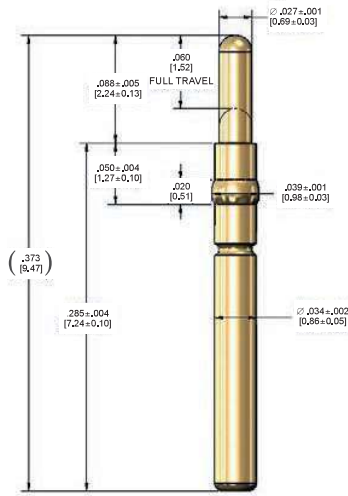
How to Order

| | |
|-------------|------------|
| Part Number | 101294-000 |
|-------------|------------|

Also available as Connector Probes

Dimensions are in inches [mm].

100803 Probe



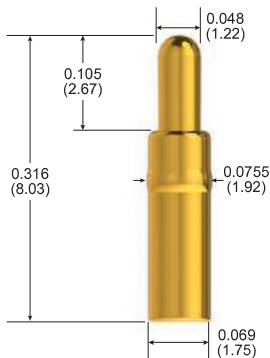
Also available as Connector Probes

| Probe Specifications | |
|----------------------|--|
| Minimum Centers | 0.05 (1.27) |
| Current Rating | 5 A continuous (individual probe in free air @ ambient temperature) |
| Spring Force | 34 g @ 0.05 (1.27) travel |
| Typical Resistance | < 50 mΩ |
| Maximum Travel | 0.06 (1.52) |
| Working Travel | 0.05 (1.27) |

| Materials | |
|-----------|-------------------------------|
| Barrel | Nickel/silver, gold plated |
| Spring | Stainless steel, gold plated |
| Plunger | Beryllium copper, gold plated |

| How to Order | |
|--------------|------------|
| Part Number | 100803-011 |

101190 Probe



Also available as Connector Probes

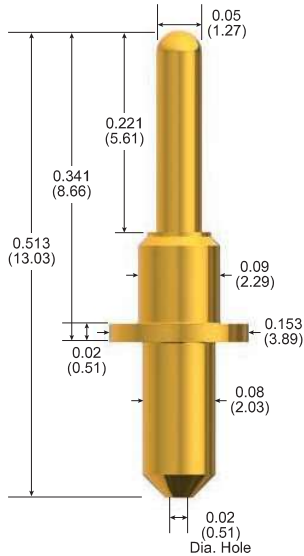
Dimensions are in inches [mm].

| Probe Specifications | |
|----------------------|---|
| Minimum Centers | 0.10 (2.54) |
| Current Rating | 15 A continuous (individual probe in free air @ ambient temperature) |
| Spring Force | 74 g @ 0.067 (1.70) travel |
| Typical Resistance | < 6 mΩ |
| Maximum Travel | 0.10 (2.54) |
| Working Travel | 0.067 (1.70) |

| Materials | |
|-----------|-------------------------------|
| Barrel | Nickel/silver, gold plated |
| Spring | Stainless steel |
| Plunger | Beryllium copper, gold plated |

| How to Order | |
|--------------|------------|
| Part Number | 101190-002 |

100606 Probe



Probe Specifications

| | |
|--------------------|---|
| Minimum Centers | 0.175 (4.45) |
| Current Rating | 15 A continuous (individual probe in free air @ ambient temperature) |
| Spring Force | 176 g @ 0.06 (1.52) travel |
| Typical Resistance | < 10 mΩ |
| Maximum Travel | 0.09 (2.29) |
| Working Travel | 0.06 (1.52) |

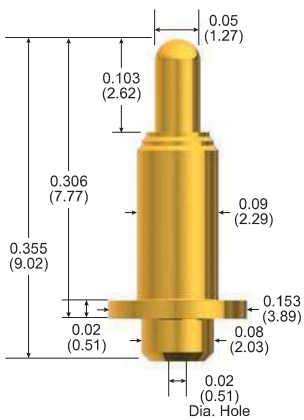
Materials

| | |
|-----------|-------------------------------|
| Barrel | Nickel/silver, gold plated |
| Spring | Stainless steel, gold plated |
| Plunger | Beryllium copper, gold plated |
| Bias Ball | Stainless steel |

How to Order

| | |
|-------------|------------|
| Part Number | 100606-000 |
|-------------|------------|

100891 Probe



Probe Specifications

| | |
|--------------------|---|
| Minimum Centers | 0.175 (4.45) |
| Current Rating | 15 A continuous (individual probe in free air @ ambient temperature) |
| Spring Force | 256 g @ 0.067 (1.70) travel |
| Typical Resistance | < 5 mΩ |
| Maximum Travel | 0.10 (2.54) |
| Working Travel | 0.067 (1.70) |

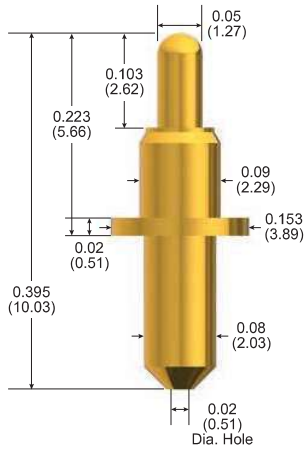
Materials

| | |
|---------|-------------------------------|
| Barrel | Nickel/silver, gold plated |
| Spring | Stainless steel, gold plated |
| Plunger | Beryllium copper, gold plated |

How to Order

| | |
|-------------|------------|
| Part Number | 100891-002 |
|-------------|------------|

100410 Probe

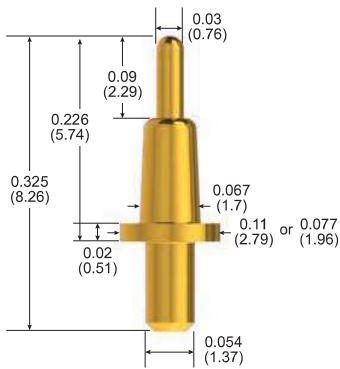


| Probe Specifications | |
|----------------------|---|
| Minimum Centers | 0.175 (4.45) |
| Current Rating | 15 A continuous (individual probe in free air @ ambient temperature) |
| Spring Force | 176 g @ 0.06 (1.52) travel |
| Typical Resistance | < 5 mΩ |
| Maximum Travel | 0.09 (2.29) |
| Working Travel | 0.06 (1.52) |

| Materials | |
|-----------|-------------------------------|
| Barrel | Nickel/silver, gold plated |
| Spring | Stainless steel |
| Plunger | Beryllium copper, gold plated |
| Bias Ball | Stainless Steel |

| How to Order | |
|--------------|------------|
| Part Number | 100410-005 |

101050 Probe



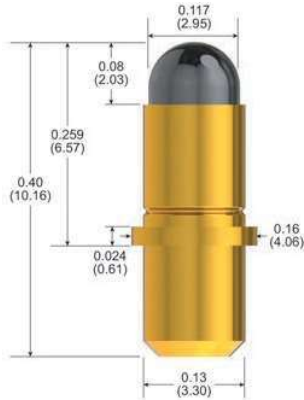
| Probe Specifications | |
|----------------------|---|
| Minimum Centers | 0.125 (3.18) |
| Current Rating | 10 A continuous (individual probe in free air @ ambient temperature) |
| Spring Force | 65 g @ 0.06 (1.52) travel |
| Typical Resistance | < 10 mΩ |
| Maximum Travel | 0.09 (2.29) |
| Working Travel | 0.06 (1.52) |

| Materials | |
|-----------|-------------------------------|
| Barrel | Nickel/silver, gold plated |
| Spring | Stainless steel, passivated |
| Plunger | Beryllium copper, gold plated |
| Ball | Stainless steel, gold plated |

| How to Order | |
|--------------|---|
| Part Number | 101050-003 (0.11 dia. flange) 101050-005 (0.077 dia. flange) |

101402 Probe

High Current



Probe Specifications

| | |
|--------------------|---|
| Minimum Centers | 0.175 (4.45) |
| Current Rating | 20 A continuous (individual probe in free air @ ambient temperature) |
| Spring Force | 275 g @ 0.05 (1.27) travel |
| Typical Resistance | < 10 mΩ |
| Maximum Travel | 0.08 (2.03) |
| Working Travel | 0.05 (1.27) |

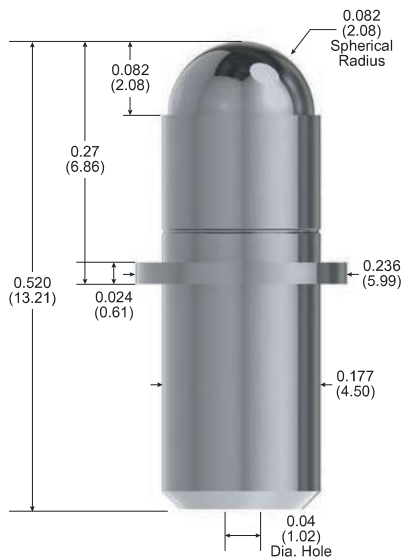
Materials

| | |
|---------|-----------------------------|
| Barrel | Nickel/silver, gold plated |
| Spring | Stainless steel, passivated |
| Plunger | Brass, Duralloy™ |

How to Order

| | |
|-------------|------------|
| Part Number | 101402-000 |
|-------------|------------|

100804 Probe



Probe Specifications

| | |
|--------------------|---|
| Minimum Centers | 0.25 (6.35) |
| Current Rating | 30 A continuous (individual probe in free air @ ambient temperature) |
| Spring Force | 252 g @ 0.54 (1.37) travel |
| Typical Resistance | < 5 mΩ |
| Maximum Travel | 0.082 (2.08) |
| Working Travel | 0.054 (1.37) |

Materials

| | |
|---------|-----------------------------|
| Barrel | Brass, Duralloy™ plated |
| Spring | Stainless steel, passivated |
| Plunger | Brass, Duralloy™ plated |

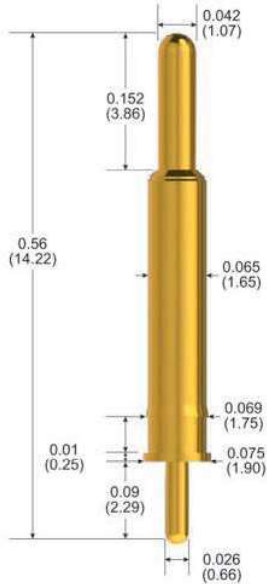
How to Order

| | |
|-------------|------------|
| Part Number | 100804-002 |
|-------------|------------|

Also available as High Current Probes

Dimensions are in inches [mm].

101712 Probe



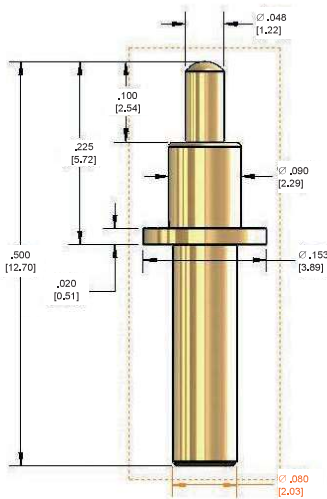
| Probe Specifications | |
|----------------------|--|
| Minimum Centers | 0.10 (2.54) |
| Current Rating | 3 A continuous (individual probe in free air @ ambient temperature) |
| Spring Force | 102 g @ 0.06 (1.52) travel |
| Typical Resistance | < 50 mΩ |
| Maximum Travel | 0.12 (3.05) |
| Working Travel | 0.06 (1.52) |

| Materials | |
|-----------|--------------------|
| Barrel | Brass, gold plated |
| Spring | Stainless steel |
| Plunger | Brass, gold plated |

| How to Order | |
|--------------|------------|
| Part Number | 101712-000 |

Also available as Connector Probes

101602 Probe



| Probe Specifications | |
|----------------------|---|
| Minimum Centers | .175 (4.44) |
| Current Rating | 10 amps with 80° C rise (individual probe in free air @ ambient temperature) |
| Spring Force | 6.7 oz. (190 g) @ .070 (1.77) travel |
| Typical Resistance | < 10 mΩ |
| Maximum Travel | .100 (2.54) |
| Working Travel | .070 (1.77) |

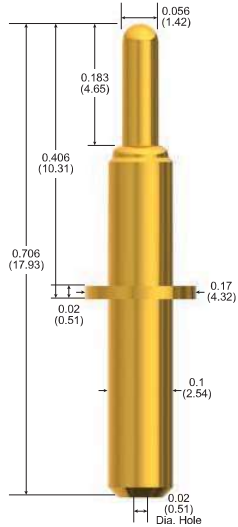
| Materials | |
|------------|---|
| Barrel | Nickel silver, gold plated |
| Spring | Stainless steel |
| Plunger | Full-hard beryllium copper, gold plated |
| Bias Ball | Stainless steel |
| O-ring | Silicone |
| Cap & Plug | Stainless steel, gold plated |

Environmentally sealed to IP67 rating

Solder Cup

Dimensions and Specifications

101247 Probe



High Current
Also available as PCB Thru-hole

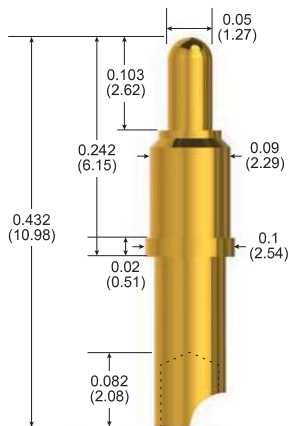
Dimensions are in inches [mm].

| Probe Specifications | |
|----------------------|---|
| Minimum Centers | 0.20 (5.08) |
| Current Rating | 20 A continuous (individual probe in free air @ ambient temperature) |
| Spring Force | 332 g @ 0.147 (3.73) travel |
| Typical Resistance | < 10 mΩ |
| Maximum Travel | 0.180 (4.57) |
| Working Travel | 0.147 (3.73) |

| Materials | |
|-----------|-------------------------------|
| Barrel | Brass, gold plated |
| Spring | Stainless steel, passivated |
| Plunger | Beryllium copper, gold plated |

| How to Order | |
|--------------|------------|
| Part Number | 101247-001 |

101628 Probe



High Current
Also available as PCB Thru-hole

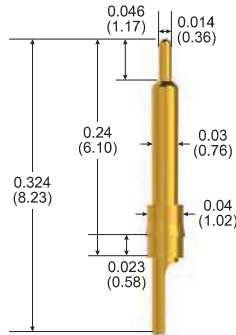
Dimensions are in inches [mm].

| Probe Specifications | |
|----------------------|---|
| Minimum Centers | 0.125 (3.18) |
| Current Rating | 25 A continuous (individual probe in free air @ ambient temperature) |
| Spring Force | 150 g @ 0.04 (1.02) travel |
| Typical Resistance | < 5 mΩ |
| Maximum Travel | 0.04 (1.02) |
| Working Travel | 0.04 (1.02) |

| Materials | |
|-----------|-------------------------------|
| Barrel | Brass, gold plated |
| Spring | Music wire, nickel plated |
| Plunger | Beryllium copper, gold plated |
| Ball | Stainless steel |

| How to Order | |
|--------------|------------|
| Part Number | 101628-000 |

101679 Probe



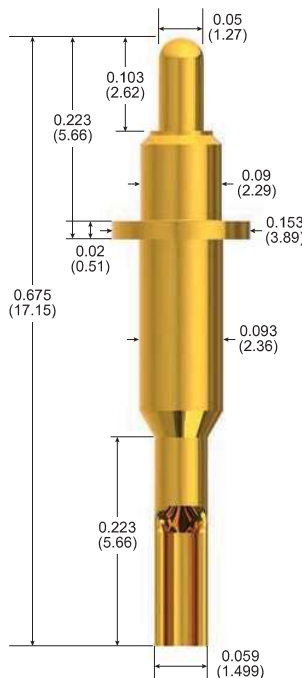
| Probe Specifications | |
|----------------------|--|
| Minimum Centers | 0.055 (1.40) |
| Current Rating | 3 A continuous (individual probe in free air @ ambient temperature) |
| Spring Force | 37 g @ 0.023 (0.58) travel |
| Typical Resistance | < 25 mΩ |
| Maximum Travel | 0.023 (0.58) |
| Working Travel | 0.023 (0.58) |

| Materials | |
|-----------|--------------------|
| Barrel | Brass, gold plated |
| Spring | Stainless steel |
| Plunger | Brass, gold plated |

| How to Order | |
|--------------|------------|
| Part Number | 101679-000 |

Also available as Press-Fit

101119 Probe



| Probe Specifications | |
|----------------------|---|
| Minimum Centers | 0.175 (4.45) |
| Current Rating | 15 A continuous (individual probe in free air @ ambient temperature) |
| Spring Force | 176 g @ 0.06 (1.52) travel |
| Typical Resistance | < 10 mΩ |
| Maximum Travel | 0.09 (2.29) |
| Working Travel | 0.06 (1.52) |

| Materials | |
|------------|-------------------------------|
| Barrel | Nickel/silver, gold plated |
| Spring | Stainless steel |
| Plunger | Beryllium copper, gold plated |
| Bias Ball | Stainless steel |
| Receptacle | Nickel/silver, gold plated |

| How to Order | |
|--------------|------------|
| Part Number | 101119-001 |

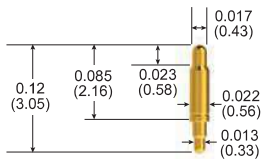
Also available as PCB Thru-hole

Dimensions are in inches [mm].

Interposer

Dimensions and Specifications

101111 Probe



Also available as Solderless

Probe Specifications

| | |
|--------------------|--|
| Minimum Centers | 0.029 (0.75) |
| Current Rating | 6 A continuous (individual probe in free air @ ambient temperature) |
| Spring Force | 43 g @ 0.022 (0.55) travel |
| Typical Resistance | < 50 mΩ |
| Maximum Travel | 0.025 (0.58) |
| Working Travel | 0.022 (0.55) |

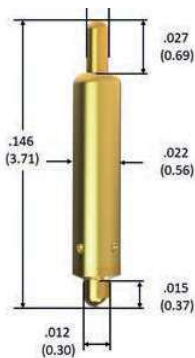
Materials

| | |
|---------|------------------------------|
| Barrel | Phosphor bronze, gold plated |
| Spring | Music wire, gold plated |
| Plunger | Phosphor bronze, gold plated |

How to Order

| | |
|-------------|------------|
| Part Number | 101111-008 |
|-------------|------------|

102197 Probe



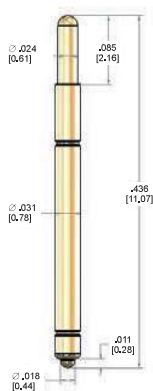
Probe Specifications

| | |
|--------------------|--|
| Part Number | 102197-000 |
| Minimum Centers | 0.040 (1.02) |
| Current Rating | 6 A continuous (individual probe in free air @ ambient temperature) |
| Spring Force | 1.4 oz (40 g) @ 0.014 (0.36) travel |
| Typical Resistance | < 75 mΩ |
| Maximum Travel | 0.020 (0.51) |
| Working Travel | 0.014 (0.36) |

Materials

| | |
|----------------|-------------------------------|
| Barrel | Nickel silver, gold plated |
| Spring | Stainless steel, gold plated |
| Plunger & Post | Beryllium copper, gold plated |

101367 Probe



Dimensions are in inches [mm].

Probe Specifications

| | |
|--------------------|--|
| Part Numbers | 101367-001 (OAL: 0.436") 101367-002 (OAL: 0.455") |
| Minimum Centers | 0.039 (0.99) |
| Current Rating | 5 A continuous (individual probe in free air @ ambient temperature) |
| Spring Force | 3.7 oz (105 g) @ 0.030 (0.76) travel |
| Typical Resistance | < 25 mΩ |
| Maximum Travel | 0.057 (1.45) |
| Working Travel | 0.030 (0.76) |

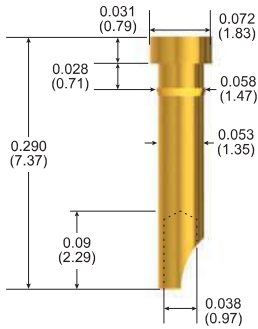
Materials

| | |
|----------------|-------------------------------|
| Barrel | Nickel silver, gold plated |
| Spring | Stainless steel, gold plated |
| Plunger & Post | Beryllium copper, gold plated |

Target Contacts

Dimensions and Specifications

PI-5327



Also available as Press-fit Solder Cup

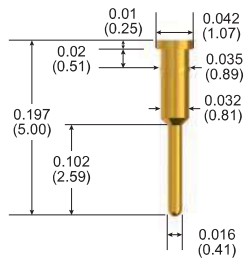
Pin Specifications

| | |
|------------------|------------------|
| Mounting Hole | 0.057 (1.45) |
| Pin Material | Brass |
| Plating Material | Gold over nickel |

How to Order

| | |
|-------------|------------|
| Part Number | 305327-000 |
|-------------|------------|

PI-5328



Also available as Press-fit

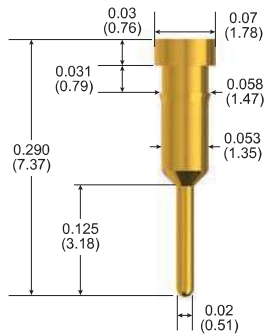
Pin Specifications

| | |
|------------------|------------------|
| Mounting Hole | 0.034 (0.86) |
| Pin Material | Brass |
| Plating Material | Gold over nickel |

How to Order

| | |
|-------------|------------|
| Part Number | 305328-000 |
|-------------|------------|

PI-5329



Also available as Press-fit

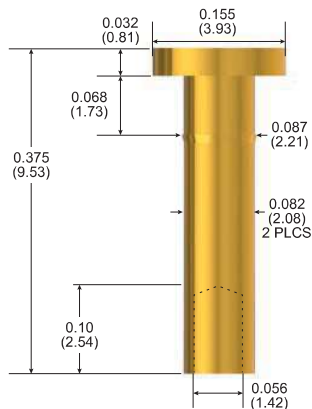
Pin Specifications

| | |
|------------------|------------------|
| Mounting Hole | 0.057 (1.45) |
| Pin Material | Brass |
| Plating Material | Gold over nickel |

How to Order

| | |
|-------------|------------|
| Part Number | 305329-000 |
|-------------|------------|

PI-5330



Also available as Press-fit Solder Cup

Dimensions are in inches [mm].

Pin Specifications

| | |
|------------------|------------------|
| Mounting Hole | 0.084 (2.15) |
| Pin Material | Brass |
| Plating Material | Gold over nickel |

How to Order

| | |
|-------------|------------|
| Part Number | 305330-000 |
|-------------|------------|