

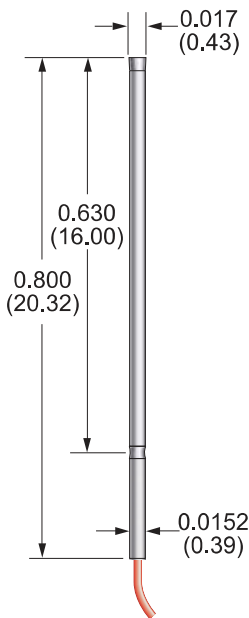
# RECEPTACLES

## Dimensions & Specifications

### ► QUAD-00 SERIES

0.020 (0.51) Centers

For Quad-00 Series Probes see pg. 3

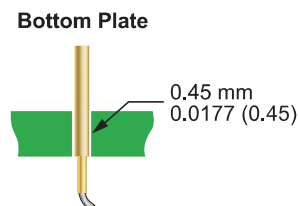
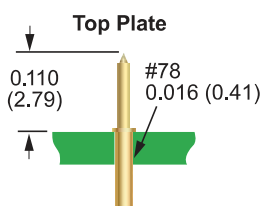
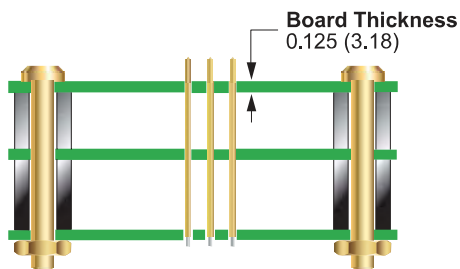


#### PROBE SPECIFICATIONS

Minimum Centers	0.020 (0.51)
Drill Size	#78
Mounting Hole Size	0.016 (0.41)
Recommended Wire	30 gage
Materials	Nickel/silver, gold lined inside

PART NUMBER	STYLE	RECEPTACLE LENGTH	PROBE/RECEPTACLE COMBINED LENGTH
QUAD-00-REC	Preattached Wire <sup>(1)</sup>	0.800 (20.32)	0.910 (23.11)

#### FIXTURING OPTIONS



#### HOW TO ORDER

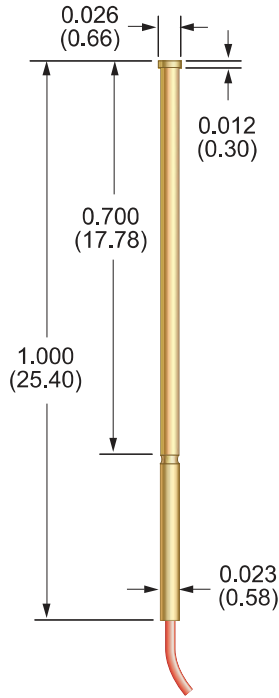
<b>QUAD - 00REC - 36 - 1</b>	
<span style="margin-right: 100px;">1</span> <span>2</span>	
<b>1</b> ► SERIES	<b>QUAD - 00REC</b>
<b>2</b> ► WIRE <sup>(1)</sup>	<b>0 - 0</b> NO WIRE
	<b>12 - 1</b> WIRE LENGTH 12 IN., 1 IN. STRIP LENGTH
	<b>36 - 1</b> WIRE LENGTH 36 IN., 1 IN. STRIP LENGTH

1. Wire length 36" with a 1" strip length, 12" & 36" standard, blue solid conductor Kynar wire  
 Dimensions are in inches (mm) | All specifications are subject to change

## ▶ QUAD-0 SERIES

0.020 (0.51) – 0.030 (0.76) Centers

For Quad-0 Series Probes see pg. 4

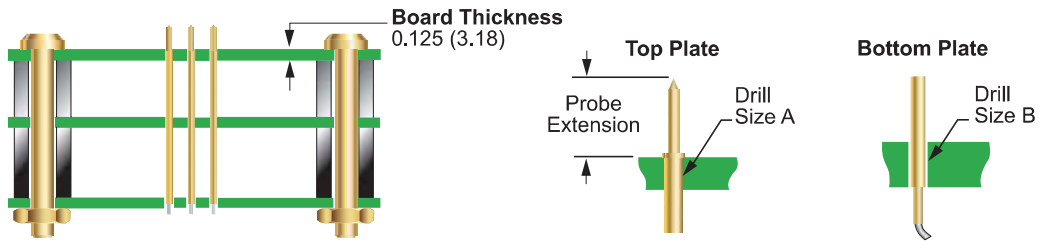


### PROBE SPECIFICATIONS

<b>Minimum Centers</b>	0.020 (0.51) <i>(without receptacle)</i> 0.030 (0.76) <i>(with receptacle)</i>
<b>Drill Size A</b>	Probe: #78 0.016 (0.41) Receptacle: #72: 0.025 (0.64)
<b>Drill Size B</b>	Probe: 0.45 mm: 0.0177 (0.45) Receptacle: 0.70 mm: 0.0276 (0.70)
<b>Mounting Hole Size</b>	0.024/0.025 (0.61/0.64)
<b>Probe Extension</b>	0.210 (5.33)
<b>Recommended Wire</b>	26 gage
<b>Materials</b>	Nickel/silver, gold plated

PART NUMBER	STYLE	RECEPTACLE LENGTH	PROBE/RECEPTACLE COMBINED LENGTH
<b>QUAD-0-REC</b>	Preattached Wire <sup>(1)</sup>	1.000 (25.40)	1.200 (30.48)

### FIXTURING OPTIONS



## HOW TO ORDER

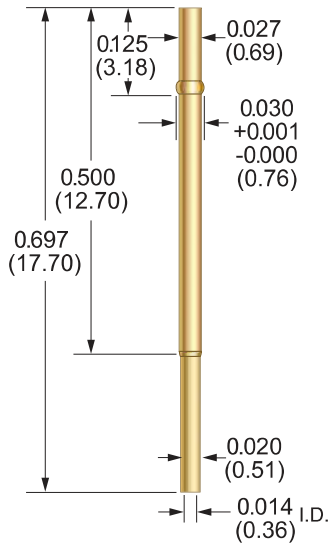
<b>QUAD - 0REC - 36 - 1</b>	
<span style="margin-right: 100px;">1</span> <span>2</span>	
<b>1 ▶ SERIES</b>	<b>QUAD - 0REC</b>
<b>2 ▶ WIRE<sup>(1)</sup></b>	<b>0 - 0</b> NO WIRE
	<b>12 - 1</b> WIRE LENGTH 12 IN., 1 IN. STRIP LENGTH
	<b>36 - 1</b> WIRE LENGTH 36 IN., 1 IN. STRIP LENGTH

1. Wire length 36" with a 1" strip length, 12" & 36" standard, blue solid conductor Kynar wire  
Dimensions are in inches (mm) | All specifications are subject to change

► **RSS-30 SERIES**

0.039 (1.00) Centers

For SS-30 Series Probes see pg. 5



**PROBE SPECIFICATIONS**

<b>Minimum Centers</b>	0.039 (1.00)
<b>Drill Size</b>	0.75 mm
<b>Mounting Hole Size</b>	0.028/0.0295 (0.71/0.75)
<b>Recommended Wire</b>	30 gage
<b>Materials</b>	Nickel/silver, preplated gold

**TOOLS**

<b>Crimping Pliers</b>	CP-SS-30 (for 30 gage solid conductor)
<b>Insertion Tool</b>	RT-SS-30 (for flush mount)

PART NUMBER	STYLE	RECEPTACLE LENGTH	PROBE/RECEPTACLE COMBINED LENGTH
<b>R-SS-30-CR</b>	Crimp	0.697 (17.70)	0.807 (20.50)
<b>R-SS-30-SC</b>	Solder Cup	0.697 (17.70)	0.807 (20.50)
<b>R-SS-30-PW</b>	Preattached Wire <sup>(1)</sup>	0.697 (17.70)	0.807 (20.50)

**HOW TO ORDER**

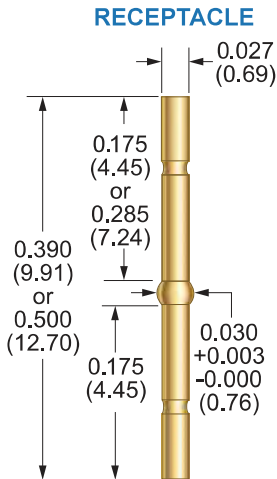
R - SS - 30 - CR	
1                      2                      3	
<b>1</b> ► <b>SERIES</b>	R - SS
<b>2</b> ► <b>SIZE</b>	30
<b>3</b> ► <b>TERMINATION</b>	CR CRIMP                      SC SOLDER CUP
	PW - 12 - 1 PREATTACHED WIRE 12 IN., 1 IN. STRIP LENGTH <sup>(1)</sup>
	PW - 36 - 1 PREATTACHED WIRE 36 IN., 1 IN. STRIP LENGTH <sup>(1)</sup>

1. Wire length 36" with a 1" strip length, 12" & 36" standard, blue solid conductor Kynar wire  
Dimensions are in inches (mm) | All specifications are subject to change

## ► R-00 SERIES

0.039 (1.00) Centers

For S-00 Series Probes see pg. 6  
For SS-40 Series Probes see pg. 7



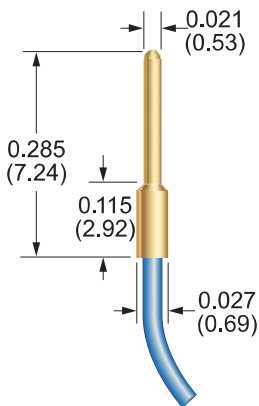
### PROBE SPECIFICATIONS

Minimum Centers	0.039 (1.00)
Drill Size	0.75 mm
Mounting Hole Size	0.028/0.0295 (0.71/0.75)
Recommended Wire	30 gage
Receptacle Materials	Nickel/silver, gold plated
Plug-In Terminal Materials	Beryllium copper, preplated gold

### TOOLS

Crimping Pliers	CP-00-390 (for 30 gage solid conductor) CP-00-500 (for 30 gage solid conductor)
Insertion Tool	RT-00

### FP-PLUG



PART NUMBER	STYLE	RECEPTACLE OR TERMINAL LENGTH	PROBE/RECEPTACLE COMBINED LENGTH		PROBE/RECEPTACLE/TERMINAL COMBINED LENGTH	
			S-00	SS-40	S-00	SS-40
<b>R-00-W-390</b>	Receptacle	0.390 (9.91)	0.915 (23.24)	0.875 (22.23)	1.030 (26.16)	0.990 (25.15)
<b>R-00-W-500</b>	Receptacle	0.500 (12.70)	1.025 (26.04)	0.985 (25.02)	1.140 (28.96)	1.100 (27.94)
<b>FP-Plug</b>	Plug-In Terminal <sup>(1)</sup>	0.285 (7.24)	—	—	—	—

## HOW TO ORDER RECEPTACLE

<b>R - 00 - W - 390</b>	
1	2
<b>1</b> ► SERIES	<b>R</b>
<b>2</b> ► SIZE	<b>00</b>
<b>3</b> ► TERMINATION	<b>W</b> RECEPTACLE
<b>4</b> ► LENGTH	<b>390</b> 0.390 IN. <b>500</b> 0.500 IN.

## HOW TO ORDER TERMINAL

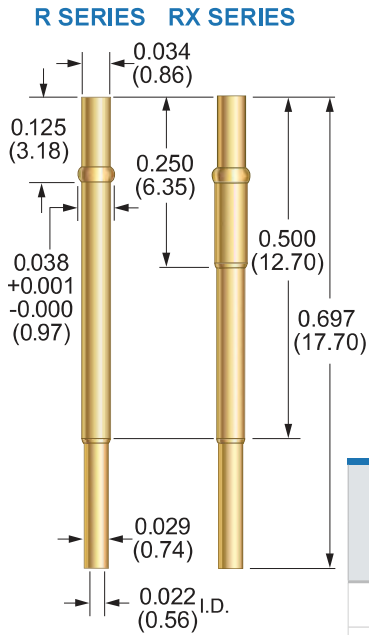
<b>FP - PLUG - 36 - 1</b>	
1	2
<b>1</b> ► SERIES	<b>FP - PLUG</b>
<b>2</b> ► WIRE <sup>(1)(2)</sup>	<b>0 - 0</b> NO WIRE
	<b>12 - 1</b> WIRE LENGTH 12 IN., 1 IN. STRIP LENGTH
	<b>36 - 1</b> WIRE LENGTH 36 IN., 1 IN. STRIP LENGTH

1. Wire length 36" with a 1" strip length, 12" & 36" standard, blue solid conductor Kynar wire  
2. To order without preattached wire, leave wire length and strip length off of the end of the part number  
Dimensions are in inches (mm) | All specifications are subject to change

► **R-0 SERIES**

0.050 (1.27) Centers

For S-0 Series Probes see pg. 8  
For SS-50 Series Probes see pg. 9



**PROBE SPECIFICATIONS**

Minimum Centers	0.050 (1.27)
Drill Size	#64
Mounting Hole Size	0.035/0.0365 (0.89/0.93)
Recommended Wire	28-30 gage
Materials	Nickel/silver, gold plated, gold plated post

**TOOLS**

Crimping Pliers	CP-0 (for 28-30 gage solid conductor)
Insertion Tool	RT-0

PART NUMBER	STYLE	RECEPTACLE LENGTH	PROBE/RECEPTACLE COMBINED LENGTH		NOTES
			S-0	SS-50	
<b>R-0-CR</b>	Crimp	0.697 (17.70)	0.857 (21.77)	0.807 (20.50)	—
<b>R-0-SC</b>	Solder Cup	0.697 (17.70)	0.857 (21.77)	0.807 (20.50)	—
<b>R-0-WW-016</b>	Wire Wrap	0.947 (24.05)	1.107 (28.12)	1.057 (26.85)	0.250 post length – 0.016 sq.
<b>R-0-WW-025</b>	Wire Wrap	0.997 (25.32)	1.157 (29.39)	1.107 (28.12)	0.300 post length – 0.025 sq.
<b>R-0-PW-12-1</b>	Preattached Wire <sup>(2)</sup>	0.697 (17.70)	0.857 (21.77)	0.807 (20.50)	12" wire length, 1" strip length
<b>R-0-PW-36-1</b>	Preattached Wire <sup>(2)</sup>	0.697 (17.70)	0.857 (21.77)	0.807 (20.50)	36" wire length, 1" strip length

**HOW TO ORDER**

<b>R - 0 - CR</b>	
1      2      3	
<b>1</b> ► SERIES	<b>R</b> <span style="float: right;"><b>RX</b><sup>(1)</sup></span>
<b>2</b> ► SIZE	<b>0</b>
<b>3</b> ► TERMINATION	<b>CR</b> CRIMP <span style="float: right;"><b>SC</b> SOLDER CUP</span>
	<b>WW - 016</b> WIRE WRAP 0.016 SQ. <span style="float: right;"><b>WW - 025</b> WIRE WRAP 0.025 SQ.</span>
	<b>PW - 12 - 1</b> PREATTACHED WIRE 12 IN., 1 IN. STRIP LENGTH <sup>(2)</sup>
	<b>PW - 36 - 1</b> PREATTACHED WIRE 36 IN., 1 IN. STRIP LENGTH <sup>(2)</sup>

1. Improved pointing accuracy

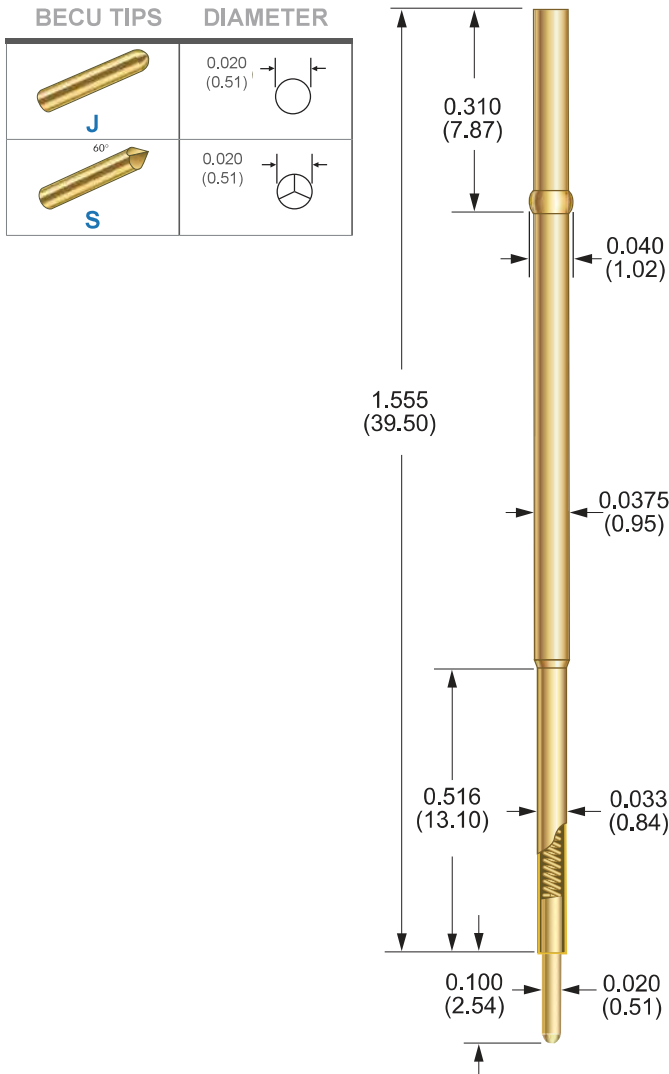
2. Wire length 36" with a 1" strip length, 12" & 36" standard, blue solid conductor Kynar wire. Available in R-0 type receptacles only



► **R-50C-J-DE SERIES**

0.050 (1.27) Centers | Wireless Receptacle

For ICT-50C/S-50C Series Probes see pg. 10



**PROBE SPECIFICATIONS**

Minimum Centers	0.050 (1.27)
Drill Size	#61
Mounting Hole Size	0.0385/0.0390 (0.98/0.99)
Spring Force	2.70 oz (77 g) @ 0.069 (1.75) travel
Maximum Travel	0.100 (2.54)
Working Travel	0.070 (1.77)

**MATERIALS**

Receptacle	Beryllium copper, gold plated
Spring	Music wire, gold plated
Plunger	Beryllium copper, gold plated over nickel

**TOOLS**

Insertion Tool	RT-50
----------------	-------

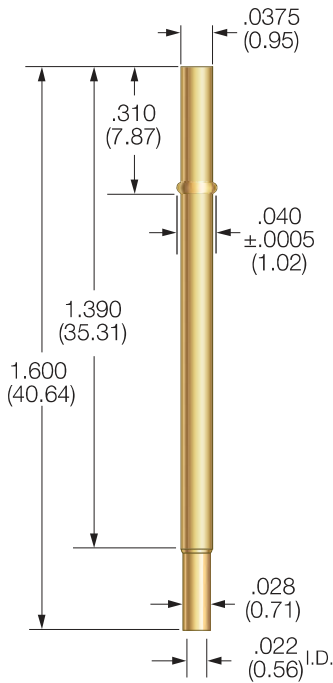
**HOW TO ORDER**

R - 50C - J - DE	
	1      2      3      4
<b>1</b> ► SERIES	R
<b>2</b> ► SIZE	50C
<b>3</b> ► TIP STYLE	J, S
<b>4</b> ► TERMINATION	DE DOUBLE-ENDED

## ▶ R-50J SERIES

0.050 (1.27) Centers

For ICT-50J Series Probes see pg. 12



### PROBE SPECIFICATIONS

<b>Minimum Centers</b>	0.050 (1.27)
<b>Drill Size</b>	#61
<b>Mounting Hole Size</b>	0.0385/0.0390 (0.98/0.99)
<b>Recommended Wire</b>	28-30 gage
<b>Materials</b>	Beryllium copper, preplated gold, gold plated post

### TOOLS

<b>Crimping Pliers</b>	CP-50J (for 28-30 gage solid conductor)
<b>Insertion Tool</b>	RT-50

PART NUMBER	STYLE	RECEPTACLE LENGTH	PROBE/RECEPTACLE COMBINED LENGTH	NOTES
<b>R-50J-CR</b>	Crimp	1.600 (40.64)	1.910 (48.51)	—
<b>R-50J-SC</b>	Solder Cup	1.600 (40.64)	1.910 (48.51)	—
<b>R-50J-WW-016</b>	Wire Wrap	1.850 (46.99)	2.160 (54.86)	0.250 post length – 0.016 sq.
<b>R-50J-WW-025</b>	Wire Wrap	1.900 (48.26)	2.210 (56.13)	0.300 post length – 0.025 sq.
<b>R-50J-PW-12-1</b>	Preattached Wire <sup>(1)</sup>	1.600 (40.64)	1.910 (48.51)	12" wire length, 1" strip length
<b>R-50J-PW-36-1</b>	Preattached Wire <sup>(1)</sup>	1.600 (40.64)	1.910 (48.51)	36" wire length, 1" strip length

## HOW TO ORDER

<b>R - 50J - CR</b>	
1      2      3	
<b>1</b> ▶ SERIES	<b>R</b>
<b>2</b> ▶ SIZE	<b>50J</b>
<b>3</b> ▶ TERMINATION	<b>CR</b> CRIMP <b>SC</b> SOLDER CUP
	<b>WW - 016</b> WIRE WRAP 0.016 SQ. <b>WW - 025</b> WIRE WRAP 0.025 SQ.
	<b>PW - 12 - 1</b> PREATTACHED WIRE 12 IN., 1 IN. STRIP LENGTH <sup>(1)</sup>
	<b>PW - 36 - 1</b> PREATTACHED WIRE 36 IN., 1 IN. STRIP LENGTH <sup>(1)</sup>

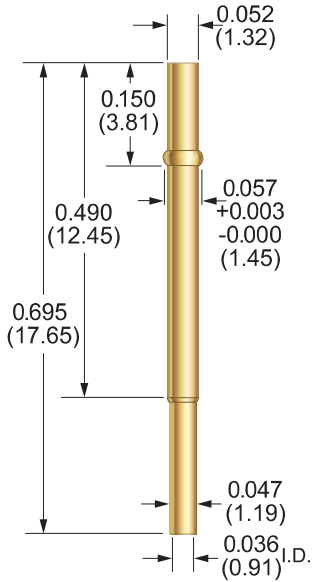
1. Wire length 36" with a 1" strip length, 12" & 36" standard, blue solid conductor Kynar wire  
Dimensions are in inches (mm) | All specifications are subject to change



► **R-1 SERIES**

0.075 (1.91) Centers

For S-1 Series Probes see pg. 13  
For SS-75 Series Probes see pg. 14



**PROBE SPECIFICATIONS**

<b>Minimum Centers</b>	0.075 (1.91)
<b>Drill Size</b>	1.45 mm
<b>Mounting Hole Size</b>	0.055/0.057 (1.40/1.45)
<b>Recommended Wire</b>	24-28 gage
<b>Materials</b>	Nickel/silver, gold plated, gold plated post

**TOOLS**

<b>Crimping Pliers</b>	CP-1 (for 24-28 gage solid conductor)
<b>Insertion Tool</b>	RT-1

PART NUMBER	STYLE	RECEPTACLE LENGTH	PROBE/RECEPTACLE COMBINED LENGTH		NOTES
			S-1	SS-75	
<b>R-1-CR</b>	Crimp	0.695 (17.65)	0.875 (22.23)	0.825 (20.96)	—
<b>R-1-SC</b>	Solder Cup	0.695 (17.65)	0.875 (22.23)	0.825 (20.96)	—
<b>R-1-RP</b>	Round Post	1.070 (27.18)	1.250 (31.75)	1.200 (30.48)	0.375 post length – 0.025 dia.
<b>R-1-WW-429</b>	Wire Wrap	1.124 (28.55)	1.304 (33.12)	1.254 (31.85)	0.429 post length – 0.025 dia.

**HOW TO ORDER**

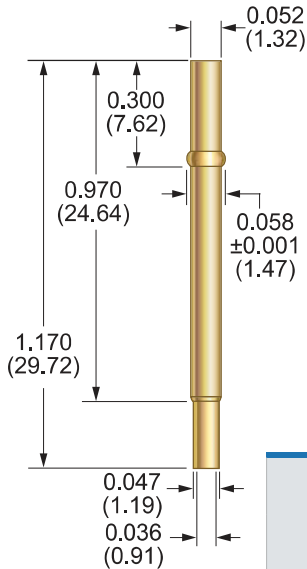
<b>R - 1 - WW - 429</b>	
1      2      3	
<b>1</b> ► SERIES	<b>R</b>
<b>2</b> ► SIZE	<b>1</b>
<b>3</b> ► TERMINATION	<b>CR</b> CRIMP <b>SC</b> SOLDER CUP
	<b>RP</b> ROUND POST <b>WW - 429</b> WIRE WRAP 0.429 POST LENGTH

1. Wire length 36" with a 1" strip length, 12" & 36" standard, blue solid conductor Kynar wire  
Dimensions are in inches (mm) | All specifications are subject to change

## ▶ R-075 SERIES

0.075 (1.91) Centers

For ICT-075/S-075 Series Probes see pg. 15  
 For ICT-075 Lead Free Series Probes see pg. 16  
 For S-075 Rotator Series Probes see pg. 17  
 For ICT-L075 Series Probes see pg. 18



### PROBE SPECIFICATIONS

Minimum Centers	0.075 (1.91)
Drill Size	1.45 mm
Mounting Hole Size	0.055/0.057 (1.40/1.45)
Recommended Wire	24-28 gage
Materials	Nickel/silver, gold plated, gold plated post

### TOOLS

Crimping Pliers	CP-1 (for 24-28 gage solid conductor)
Insertion Tool	RT-1

PART NUMBER	STYLE	RECEPTACLE LENGTH	PROBE/RECEPTACLE COMBINED LENGTH		NOTES
			ICT-075/S-075	ICT-L075	
<b>R-075-CR</b>	Crimp	1.170 (29.72)	1.500 (38.10)	1.650 (41.91)	—
<b>R-075-SC</b>	Solder Cup	1.170 (29.72)	1.500 (38.10)	1.650 (41.91)	—
<b>R-075-RP</b>	Round Post	1.545 (39.24)	1.875 (47.63)	2.025 (51.44)	0.375 post length – 0.025 dia.
<b>R-075-WW-429</b>	Wire Wrap	1.599 (40.61)	1.929 (49.00)	2.079 (52.81)	0.429 post length – 0.025 dia.

## HOW TO ORDER

**R - 075 - WW - 429**

1      2      3


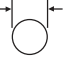
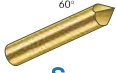
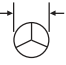
<b>1</b> ▶ SERIES	<b>R</b>
<b>2</b> ▶ SIZE	<b>075</b>
<b>3</b> ▶ TERMINATION	<b>CR</b> CRIMP <b>SC</b> SOLDER CUP
	<b>RP</b> ROUND POST <b>WW - 429</b> WIRE WRAP 0.429 POST LENGTH

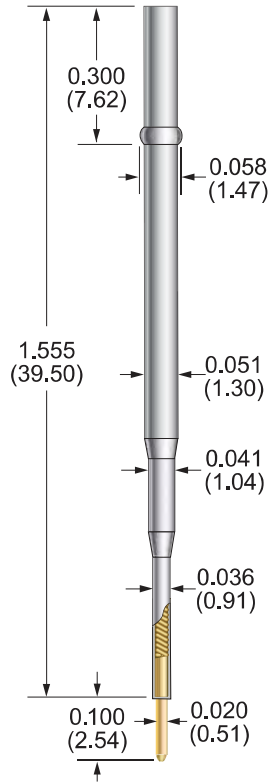
1. Wire length 36" with a 1" strip length, 12" & 36" standard, blue solid conductor Kynar wire  
 Dimensions are in inches (mm) | All specifications are subject to change

► **R-075-J-DE SERIES**

0.075 (1.91) Centers | Wireless Receptacle

For ICT-075/S-075 Series Probes see pg. 15  
 For ICT-075 Lead Free Series Probes see pg. 16  
 For ICT-L075 Series Probes see pg.18

BECU TIPS	DIAMETER
 <b>J</b>	0.020 (0.51) 
 <b>S</b>	0.020 (0.51) 



**PROBE SPECIFICATIONS**

Minimum Centers	0.075 (1.91)
Drill Size	1.45 mm
Mounting Hole	0.055/0.057 (1.40/1.45)
Spring Force	2.70 oz (77 g) @ 0.070 (1.77) travel
Maximum Travel	0.100 (2.54)
Working Travel	0.070 (1.77)

**MATERIALS**

Receptacle	Nickel/silver, gold lined inside
Spring	Music wire, gold plated
Plunger	Beryllium copper, gold plated over nickel

**TOOLS**

Insertion Tool	RT-1
----------------	------

**HOW TO ORDER**

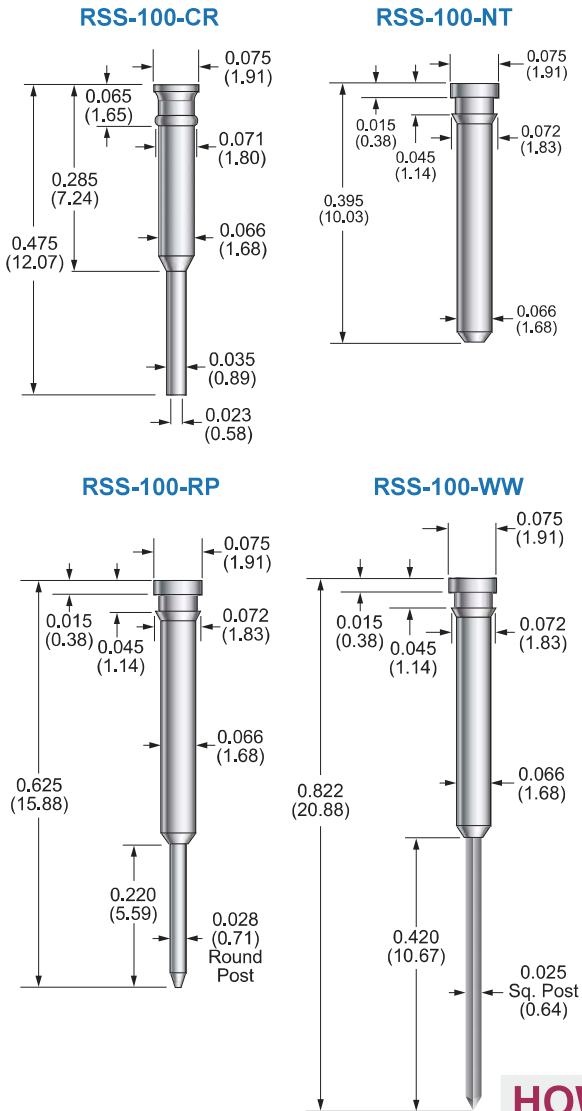
**R - 075 - J - DE**  
 1      2      3      4

<b>1</b> ▶ SERIES	<b>R</b>
<b>2</b> ▶ SIZE	<b>075</b>
<b>3</b> ▶ TIP STYLE	<b>J, S</b>
<b>4</b> ▶ TERMINATION	<b>DE</b> DOUBLE-ENDED

## ► RSS-100 SERIES

0.100 (2.54) Centers

For SS/GSS Series Probes see pg. 19



### PROBE SPECIFICATIONS

Minimum Centers	0.100 (2.54)
Drill Size	#50
Mounting Hole Size	0.068/0.070 (1.73/1.78)
Recommended Wire	28-30 gage
Materials	Nickel/silver

### TOOLS

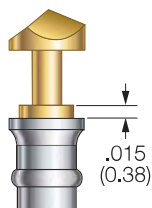
Crimping Pliers	CP-SS-100 (for 28-30 gage solid conductor)
Insertion Tool	RT-SS-100

PART NUMBER	STYLE	RECEPTACLE LENGTH	PROBE/RECEPTACLE COMBINED LENGTH	NOTES
RSS-100-CR	Crimp	0.475 (12.07)	0.550 (13.97) <sup>(1)</sup>	—
RSS-100-NT	No Tail	0.402 (10.21)	0.462 (11.73) <sup>(1)</sup>	—
RSS-100-RP	Round Post	0.625 (15.88)	0.685 (17.40) <sup>(1)</sup>	0.220 post length – 0.028 dia.
RSS-100-WW	Wire Wrap	0.822 (20.88)	0.882 (22.40) <sup>(1)</sup>	0.420 post length – 0.025 dia.
RSS-100-PW-12-1	Preattached Wire <sup>(2)</sup>	0.475 (12.07)	0.550 (13.97) <sup>(1)</sup>	12" wire length, 1" strip length
RSS-100-PW-36-1	Preattached Wire <sup>(2)</sup>	0.475 (12.07)	0.550 (13.97) <sup>(1)</sup>	36" wire length, 1" strip length

TIP	HEAD LENGTH	TIP	HEAD LENGTH
1	0.040 (1.02)	10	0.028 (0.71)
2	0.028 (0.71)	11	0.040 (1.02)
3	0.028 (0.71)	18	0.060 (1.52)
4	0.040 (1.02)	19	0.055 (1.40)
5	0.080 (2.03)		

### PROBE EXTENSION

See chart for head length



## HOW TO ORDER

	RSS - 100 - WW - G
	1 2 3 4
1 ► SERIES	RSS
2 ► SIZE	100
3 ► TERMINATION	CR CRIMP
	NT NO TAIL
	RP ROUND POST
	WW WIRE WRAP
	PW - 12 - 1 PREATTACHED WIRE 12 IN., 1 IN. STRIP LENGTH <sup>(1)</sup>
	PW - 36 - 1 PREATTACHED WIRE 36 IN., 1 IN. STRIP LENGTH <sup>(1)</sup>
4 ► PLATING OPTION	G GOLD

1. Plus head length per tip style – see chart  
 2. Wire length 36" with a 1" strip length, 12" & 36" standard, blue solid conductor Kynar wire  
 Dimensions are in inches (mm) | All specifications are subject to change