

BP350A • BP550A • BP1000A • BP350AG

Hydraulic Single Port Sealed Hand Pump

Description

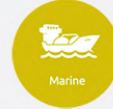
The Hydraulic Single-Port Hand-Pump range is a special design for use with hydraulic equipment. Its output is regulated to 700 bar (10,000 psi) and is delivered from a single-threaded 3/8" NPT output port. The pumps can be used with any 700 bar (10,000 psi) rated hydraulic equipment within their oil capacity specification. For example, BP350A can be used with 1 off 10 Ton, 2" Stroke Cylinder accordingly. The diaphragm oil reservoir design means that, unlike conventional units, the hand pumps are operable at all angles and are highly resistant to accidental spillage of hydraulic fluid.



Maximum Pressure Rating

- ✓ 1st Stage: 13.8 bar
- ✓ 2nd Stage: 700 bar

Designed for different industries



	Stage	BP350A	BP550A	BP1000A
Pump Type		Two Speed	Two Speed	Two Speed
Pressure Rating	1st	13.8 bar (197 psi)	13.8 bar (197 psi)	13.8 bar (197 psi)
	2nd	700 bar (10,000 psi)	700 bar (10,000 psi)	700 bar (10,000 psi)
Nominal Oil Capacity		350 cc (21.4 in ³)	550 cc (33.6 in ³)	1000 cc (61 in ³)
Usable Oil Capacity		350 cc (21.4 in ³)	550 cc (33.6 in ³)	1000 cc (61 in ³)
Oil Volume Per Stroke	1st	3.62 cc (0.221 in ³)	3.62 cc (0.221 in ³)	3.62 cc (0.221 in ³)
	2nd	0.77 cc (0.047 in ³)	0.77 cc (0.047 in ³)	0.77 cc (0.047 in ³)
Max Handle Effort		33 kgf (72.75 lbf)	25 kgf (55.12 lbf)	21 kgf (46.30 lbf)
Piston Stroke		18mm (0.71")	18mm (0.71")	18mm (0.71")

SCAN ME



Tel: +65 6271 0800
 Fax: +65 6273 3121
enquiries@petracarbon.com
www.petracarbon.com



BP350A • BP550A • BP1000A • BP350AG

Hydraulic Single Port Hand Sealed Hand Pump



Kit Components

BP350A

- ✓ 1 x BP350A Pump Unit
- ✓ 1 x Instruction Manual
- ✓ 1 x Carton Packaging
- ✓ **Packaging Dimensions:**
420 x 180 x 190 mm

BP550A

- ✓ 1 x BP550A Pump Unit
- ✓ 1 x Instruction Manual
- ✓ 1 x Carton Packaging
- ✓ **Packaging Dimensions:**
740 x 190 x 200 mm

BP1000A

- ✓ 1 x BP1000A Pump Unit
- ✓ 1 x Instruction Manual
- ✓ 1 x Carton Packaging
- ✓ **Packaging Dimensions:**
820 x 160 x 180 mm

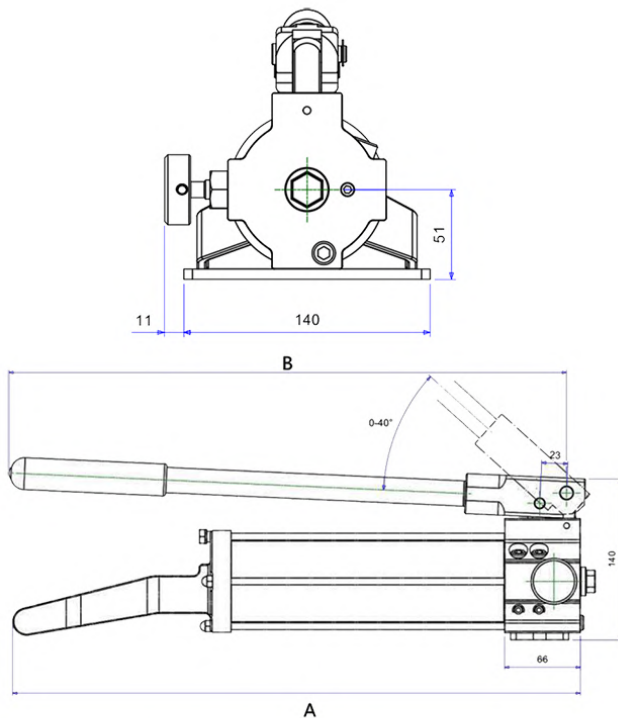
BP350AG

- ✓ 1 x BP350AG Pump Unit
- ✓ 1 x 0-1,000 bar Gauge
- ✓ 1 x 3/8" Port Gauge Adaptor
- ✓ 1 x Hydraulic hose; 1.8m length;
700 bar with two couplers
- ✓ 1 x Instruction Manual
- ✓ 1 x Molding Case
- ✓ **Packaging Dimensions:**
580 x 170 x 200 mm

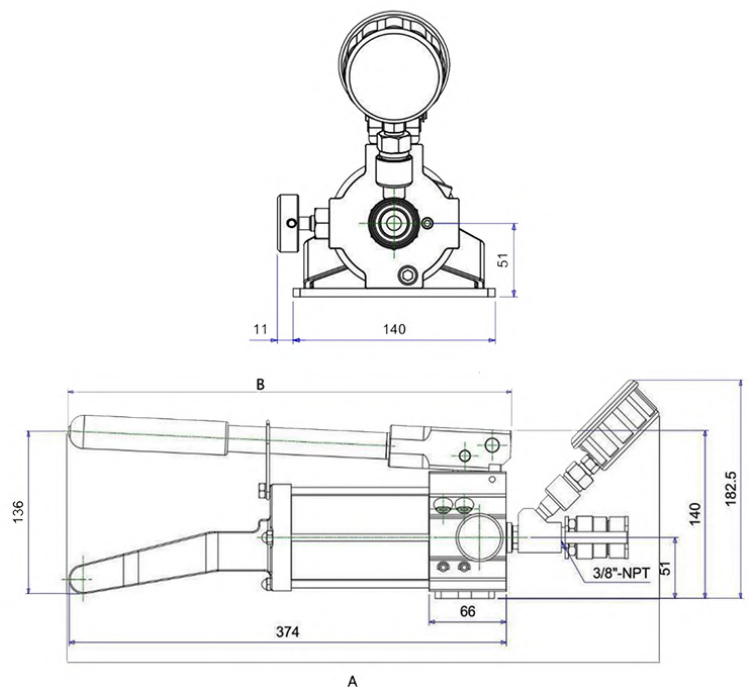
Weights & Dimensions

	BP350A	BP550A	BP1000A	BP350AG
Overall Length (A)	374mm	494mm	694mm	504.5mm
Handle Length (B)	380mm	485mm	591mm	380mm
Pump Weight	3.2kg	4.0kg	5.3kg	3.9kg
Gross Kit Weight	3.7kg	4.6kg	5.7kg	8.41kg

Model: BP350A, BP550A& BP1000A



Model: BP350AG



SCAN ME

