

BSM9TP

Mechanical Flange Spreader Wedge Twin Kit

Weights & Dimensions

- ✓ Tool Weight: 5.8 kg
- ✓ Torque Wrench: 1.5 kg
- ✓ Safety Block: 0.38 kg
- ✓ Pair of Stepped Blocks: 1.05 kg
- ✓ Molding Case: 3.0 kg
- ✓ Gross Weight: 20.43 kg
- ✓ Molding Case Dimensions:
580 mm x 340 mm x 180 mm

Designed for different industries



Spreading Force

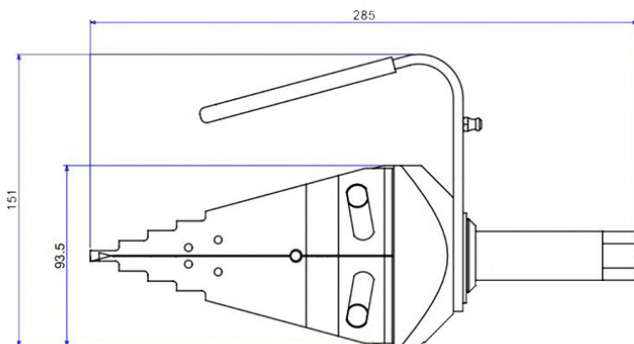
With 203 N. m of torque applied: 9.4 Ton
It is recommended that tools are used in pair giving
2 x 9.4 Ton = 18.8 Ton

Kit Components

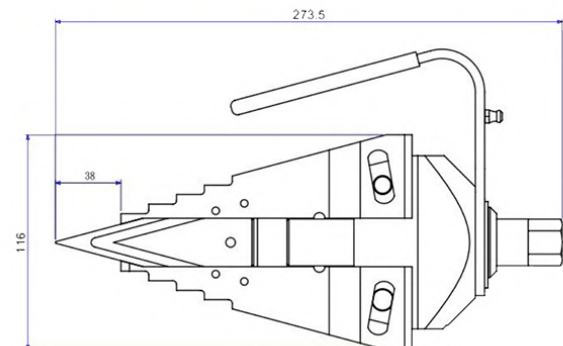
- ✓ 2 x Wedgehead
- ✓ 2 x 203 N·m (150 ft·lb) Torque Wrench with 22 mm socket
- ✓ 2 x Safety Block
- ✓ 2 x Pairs of Stepped Blocks
- ✓ 2 x Hex Key
- ✓ 1 x Molding Case



Tool Dimensions - Closed



Tool Dimensions - Open



SCAN ME



Tel: +65 6271 0800
Fax: +65 6273 3121
enquiries@petracarbon.com
www.petracarbon.com



bizSAFE₃

BSM9TP

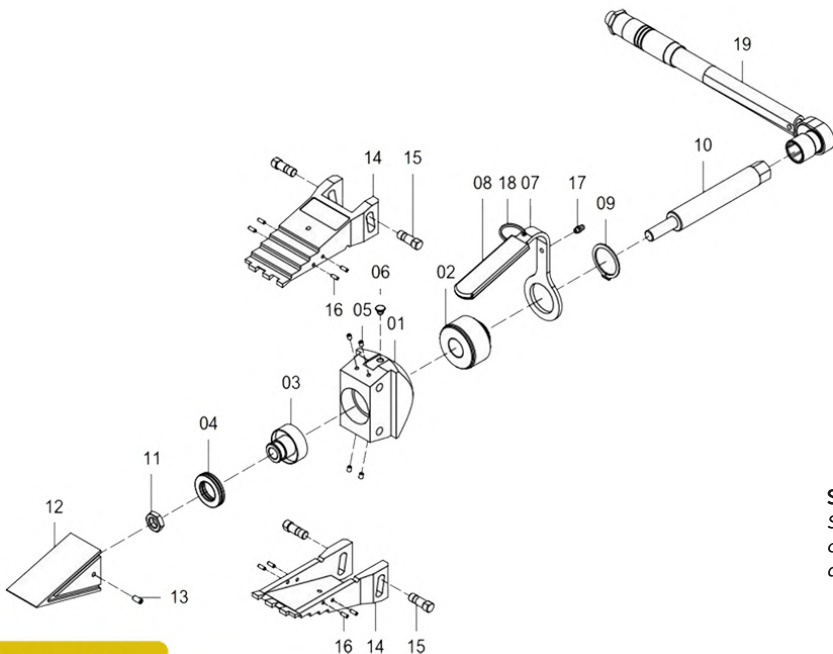
Mechanical Flange Spreader Wedge Twin Kit

Range of Application

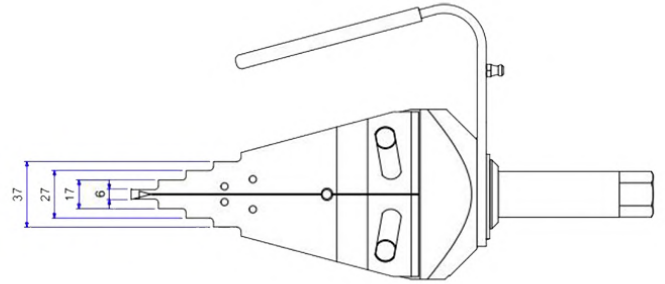
All flanges with a minimum access gap of 6 mm

Item No.	Part No.	Description	Quantity
1	C9311	Main Body	1
2	E5702	Adaptor	1
3	E6702	Thrust Bearing Carrier	1
4	K6500	Bearing Set	1
5	H8400	Screw	4
6	G4560	White Plastic Cap	1
7	C1411	Handle	1
8	G1560	Handle Sleeve	1
9	I4400	Snap Ring	1
10	E1191	Push Rod	1
11	H8730	Nut	1
12	C0411	Wedge	1
13	H0730	Screw	1
14	F2930	Forged Jaw	2
15	E7702	Slide Pin	4
16	I9010	Roll Pin	8
17	H1730	Grease Fitting	1
18	M2010	Split Ring	1
19	TW210	Torque Wrench	1

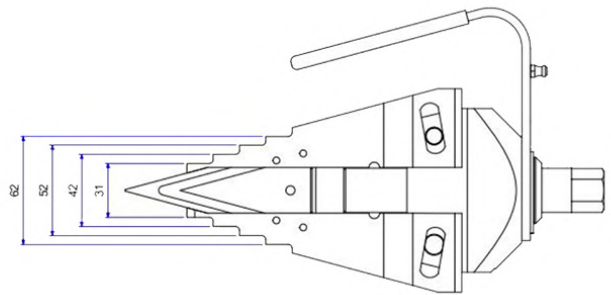
*Items 4, 5, 11, 13 & 15 are supplied in Service Kit A
*Items 3 & 10 are supplied in Service Kit B



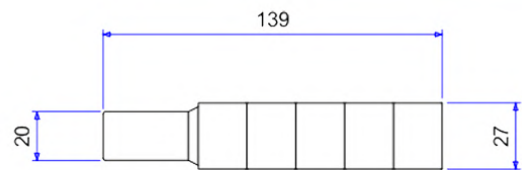
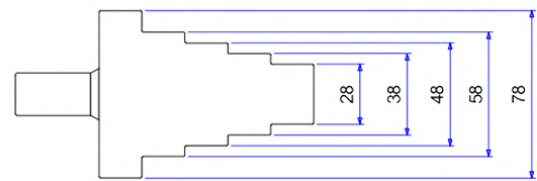
Tool Dimensions - Closed



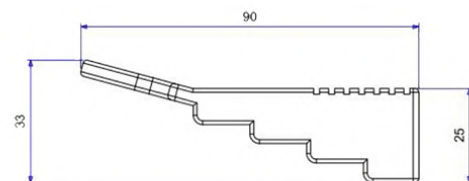
Tool Dimensions - Open



Safety Block (Part No. B1095) Dimensions



Weights and Dimensions
Stepped Block 0.52 kg



Stepped Blocks Part No. SBM62
Stepped Blocks can be used individually
or in pairs to increase the max. spreading
distance of the BSM9TP to 81 mm



SCAN ME

