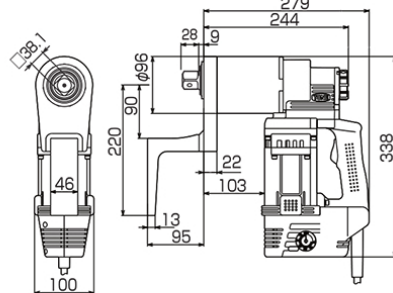


BGST SERIES

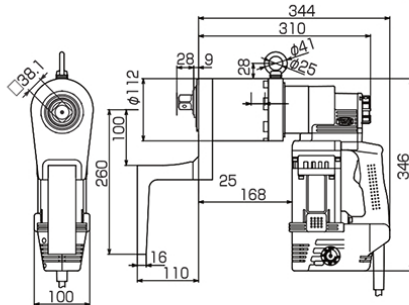
Electric Nut Runner



BGST601QE
BGST602QE



BGST1001QE
BGST1002QE



Model	BGST601QE	BGST602QE
Frequency	50-60Hz	
Rated Voltage (Single Phase)	110-120V	220-230V
Max. Current	17A	8.5A
Rated Input Power	1900W (2S/3S)	
Rated Max. Torque	4000 N.m	
Repeated Accuracy	±5%	
Controllable Torque Range	1600-4000N.m	
No-Load Speed	4 min -1 (rpm)	
Noise & Vibration Level	Sound Pressure Level 84dB(A) Sound Power Level 95dB (A) Vibration Level Less thank 2.5m/s ²	
Weight (Main Body)		
Protection Class	Class II tool	

Model	BGST1001QE	BGST1002QE
Frequency	50-60Hz	
Rated Voltage (Single Phase)	110-120V	220-230V
Max. Current	17A	8.5A
Rated Input Power	1900W (2S/3S)	
Rated Max. Torque	4000 N.m	
Repeated Accuracy	±5%	
Controllable Torque Range	1600-4000N.m	
No-Load Speed	4 min -1 (rpm)	
Noise & Vibration Level	Sound Pressure Level 84dB(A) Sound Power Level 95dB (A) Vibration Level Less thank 2.5m/s ²	
Weight (Main Body)		
Protection Class	Class II tool	

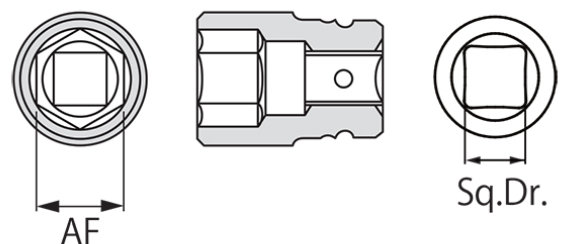
Features

- ✓ Simple & easy operation
- ✓ Easily set your target torque - easy switch forward-reverse directions
- ✓ Ergonomic design, lower sound level and double insulated protection motor.



Impact Socket Series

Series	Sq. Dr. Sizes	AF Sizes
6NV	3/4"	17-55mm
8NV	1"	17-95mm
12AD	1-1/2"	41-120mm



SCAN ME

