

BCST SERIES

Battery Nut Runner with Torque Control Function

Features

- ✓ Easy operation, Simple function, Torque controlled Battery Nut Runner
- ✓ Ergonomic bolting work, Noiseless, Low vibration
- ✓ Mobile and Light Weight available work at higher place
- ✓ Maintenance less Brushless motor
- ✓ Reference Battery duration: 380 bolts BCST20E, 250 bolts BCST30E

Battery and Charger*

*Not included in accessories

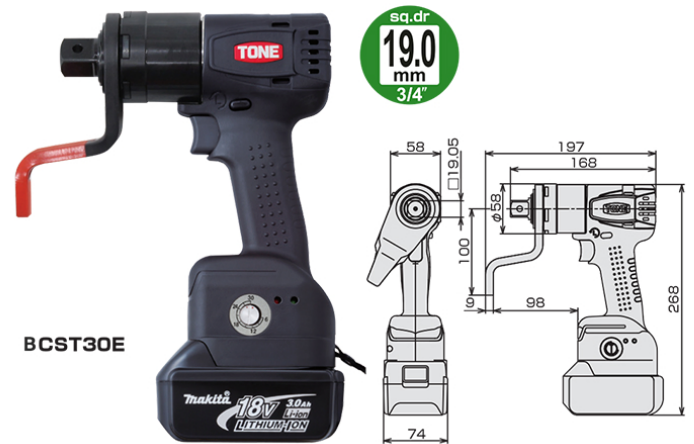
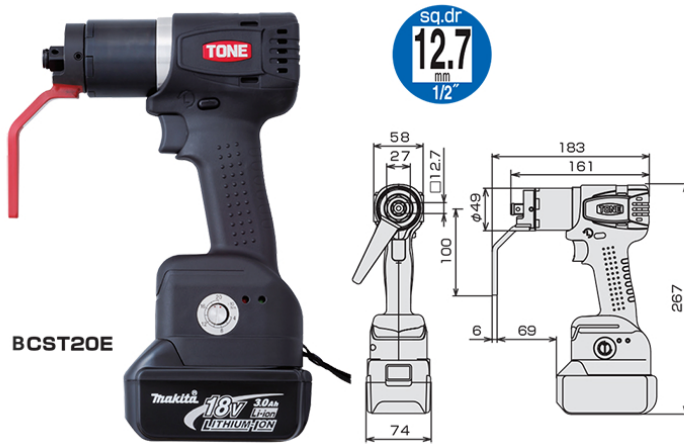


BL1830



DC18RC(AC115V) / DC18RC(AC230V)

Specifications



Model	BCST20EN-BTL	BCST20EF-BTL	BCST30EN-BTL	BCST20EF-BTL
Max. Torque	200 N.m	150 lbf ft	300 N.m	220 lbf ft
Controllable Torque Range	40-200 N.m	30-150 lbf ft	60-300 N.m	45-220 lbf ft
Repeated Tightening Accuracy	±5%	±5%	±5%	±5%
No-load Speed	16 min -1 (rpm)	16 min -1 (rpm)	11 min -1 (rpm)	11 min -1 (rpm)
Weight	1.9 kg (4.19lbs)	1.9 kg (4.19lbs)	2.1 kg (4.6lbs)	2.1 kg (4.6lbs)

Accessories

BCST20EN-BTL, BCST20EF-BTL

- Reaction Arm
- L-type Reaction Arm
- L-shaped Allen Key 2.5mm
- Screw Driver

BCST30EN-BTL, BCST30EF-BTL

- Reaction Arm
- L-shaped Allen Key 2.5mm
- Screw Driver

SCAN ME



Tel: +65 6271 0800
 Fax: +65 6273 3121
 enquiries@petracarbon.com
 www.petracarbon.com

